

PLMG042 Gear Reducer Technical Parameters

Technical Parameter	Unit	Value
Max Radial Torque	N	780
Max Axial Torque	N	390
Torsional Stiffness	Nm/arcmin	2.5
Max Input Speed	rpm	8000
Rated Input Speed	rpm	4000
Noise	dB	≤56
Backlash (Stage 1)	arcmin	≤8
Backlash (Stage 2)	arcmin	≤10
Max. Output Torque	Nm	2 Times Rated Output Torque
Instant Braking Torque	Nm	3 Times Rated Output Torque
Life time	h	20000
IP Degree	-	IP65
Operating Temperature	°C	-10°C~+90°C
Full Load Efficiency	%	L1≥95%, L2≥92%

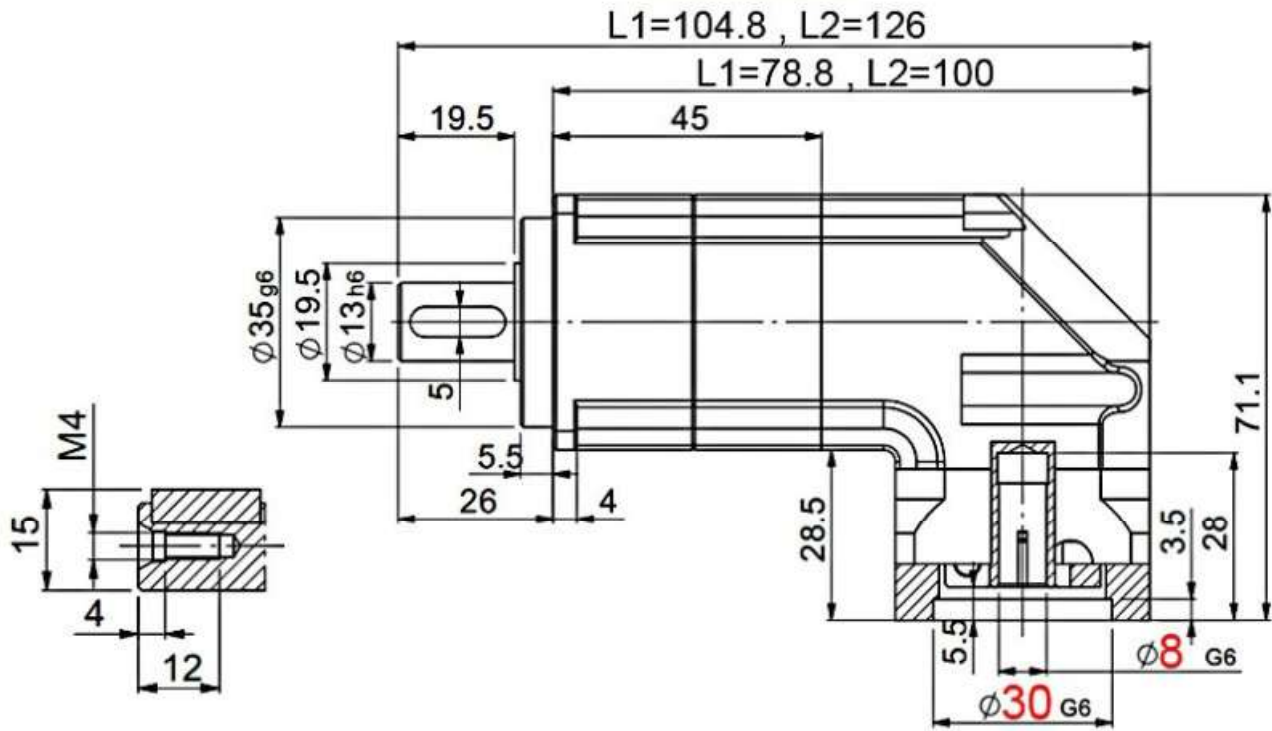
Rated Output Torque (Nm)

Stage	Ratio	Rated Output Torque
Stage 1 (L1)	3:01 /	
	4:01	19
	5:01	17
	7:01	14
	10:01	11
	15:01 /	
Stage 2 (L2)	20:01	19
	25:01:00	17
	30:01:00 /	
	35:01:00	17
	40:01:00	19
	50:01:00	17
	70:01:00	14
	100:01:00	11

Moment of Inertia (Kg.cm²)

Stage	Ratio	Moment of Inertia
Stage 1 (L1)	3:01	0.12
	4:01	0.12
	5:01	0.09
	7:01	0.09
	10:01	0.09
	15:01	0.09
Stage 2 (L2)	20:01	0.09
	25:01:00	0.09
	30:01:00	0.09
	40:01:00	0.09
	50:01:00	0.09
	70:01:00	0.09
	100:01:00	0.07

8mm input shaft for 50W 100W 40mm Servo motor



Output

Input

